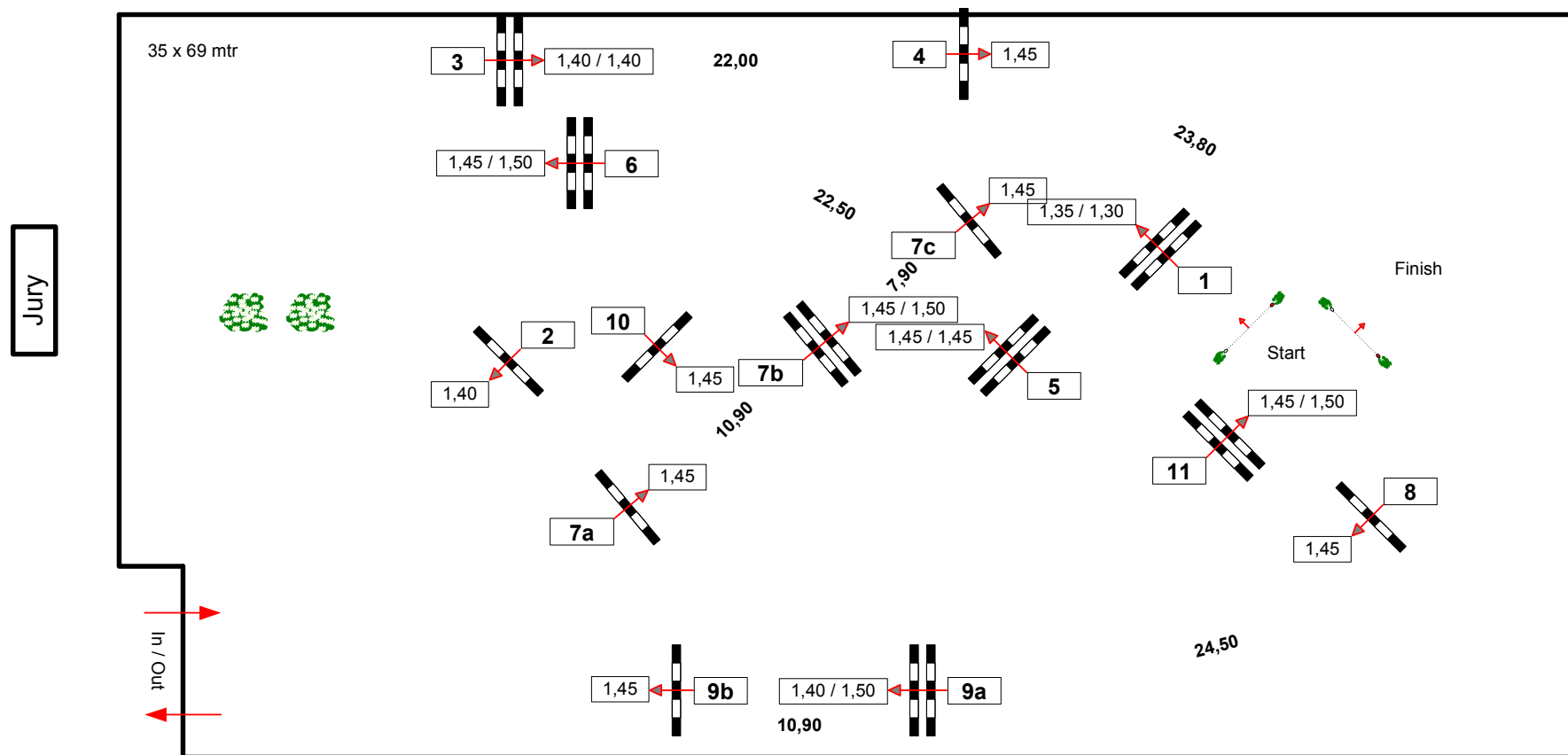


Class No.: 2

Medium Tour

Competition against the clock

Table: A	Speed: 350 m/min	Obstacles: 11	1st Jump-off: Length: 0 m	2nd Jump-off: Length: 0 m
National RG:	Length: 460 m	Efforts: 14	Time allowed: 0 sec	Time allowed: 0 sec
FEI RG / Art. 238.2.1	Time allowed: 79 sec	Penalty sec:	Time limit: 0 sec	Time limit: 0 sec
Height: 1,45 m	Time limit: 158 sec	Closed combination:		



Course DesignerS: Rob Jansen (NED)
 Marc Kasius (NED)
 Cor Snel (NED)